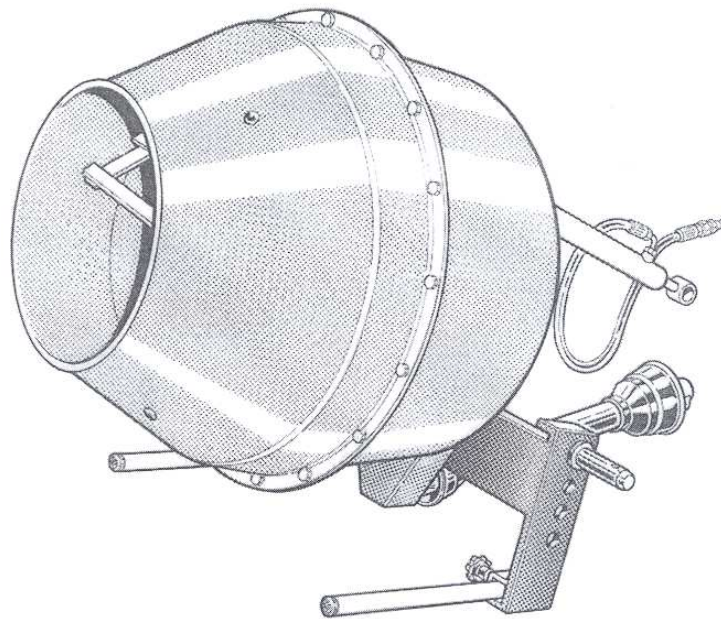


AGRICULTURAL MACHINERY

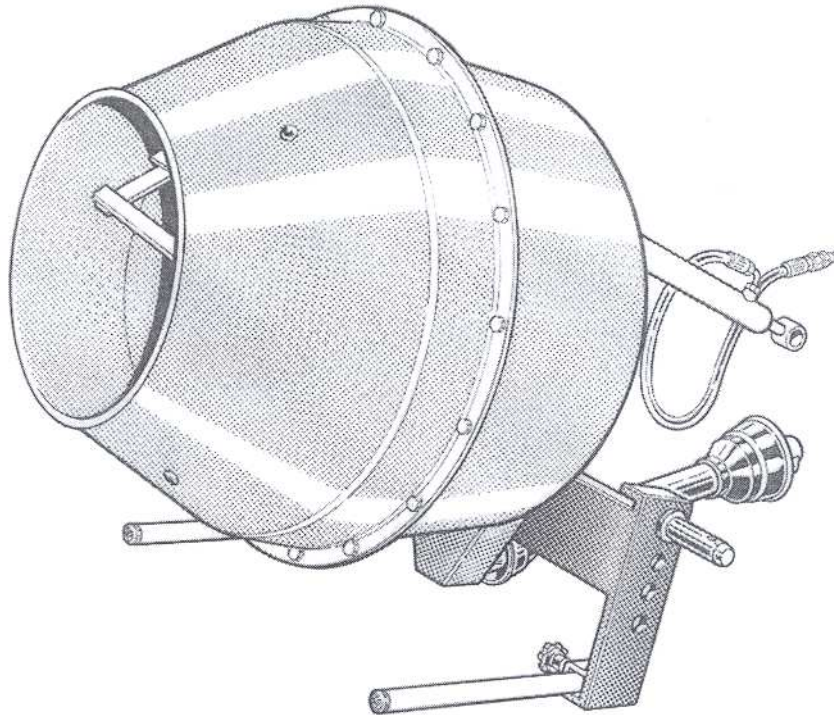
sitrex®
Spa

***ASSEMBLY, USE AND
MAINTENANCE
SPARE PARTS LIST***



TX 320 H

TX 320 H

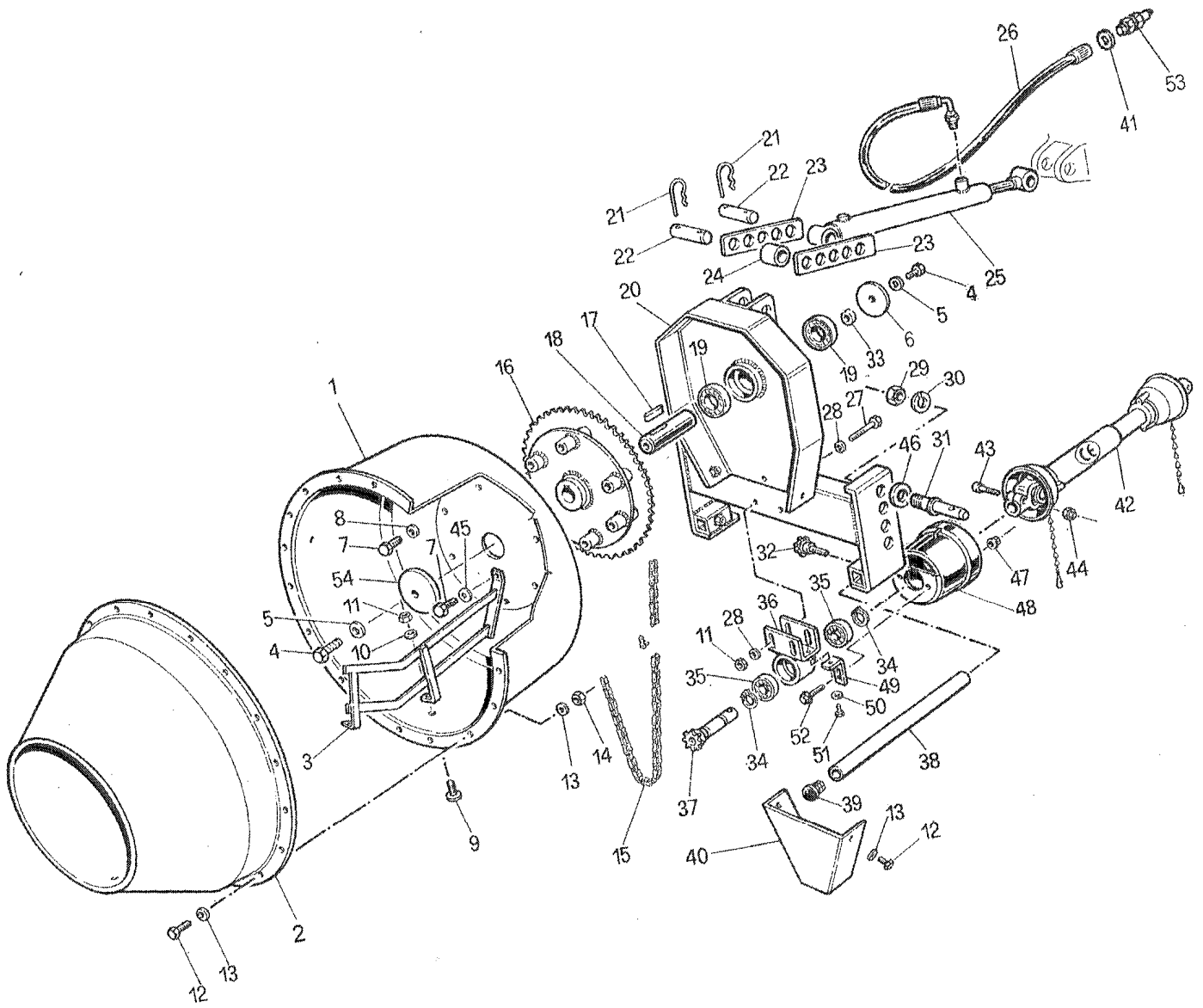


P.T.O. speed	RPM	220 min 280 max
Trasmission ratio		8,77:1
Hydraulic pressure	Kg/cm ² / PSI	140 / 2000
Height	mm / inches	1000 / 39 3/8"
Lenght	mm / inches	1000 / 39 3/8"
Width	mm / inches	865 / 34"
Weight	Kg / LBS	115 / 255
Capacity	l / cubic feet	320 / 11,3
3 point approx.	category	1a / 2a

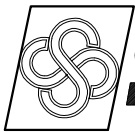
All data are indicative. The SITREX company reserves the right to change them without advance notice.

SPARE PARTS LIST

SPARE PARTS TABLE TX 320 H



SPARE PARTS LIST TX 320				
ITEM	Q.TY	PART NO.	DESCRIPTION	NOTE
1	1	BM32001	LOWER TUB WITH HOLES	
2	1	BM32002	UPPER TUB WITH HOLES	
3	3	BM32014	MIX-PADDLE	
4	2	52391430	BOLT	
5	2	1751A14Z	GROWER WASHER	
6	1	BM32003F	INNER WASHER	
7	6	52391225	BOLT	
8	3	659212ZN	PLAIN WASHER	
9	8	57321025	BOLT	
10	8	659210ZN	PLAIN WASHER	
11	8	558810ZN	NUT	
12	18	52390816	BOLT	
13	36	659208ZN	PLAIN WASHER	
14	18	558808ZN	NUT	
15	1	CAT12142	CHAIN 1/2'	
16	1	BM32005	GEAR WITH HUB	
17	1	66040750	KEY	
18	1	BM32009	SLOW SHAFT	
19	2	62092RS0	BALL BEARING	
20	1	BM32004	FRAME BETOMIX	
21	4	80100510	COTTER PIN	
22	2	ES120117	PIN	
23	2	BM32025	SPACER	
24	,	BM3201907	CYLINDER BUSH	
25	1	BM32019	HYDRAULIC CYLINDER	
26	1	30015075	CONNECTOR	
27	2	52371090	BOLT	
28	4	659310ZN	WASHER	
29	2	558824ZF	NUT	
30	2	175124ZN	GROWER WASHER	
31	2	S5051008	SIDE ATTACHMENT PIN	
32	2	VB408150	LOBES HANDWHEEL	
33	1	BM32003M	OUTER WASHER	
34	2	74353000	SNAP RING	
35	2	62062RS0	BALL BEARING	
36	1	BM32006	DRIVING PINION SUPPORT	
37	2	BM32007	SPEED SHAFT	
38	2	BM32010	SUPPORTING FOOT	
39	2	TCP3200	BLACK CAP	
40	1	BM32011	LOWER GUARD	
41	2	30015026	BOLT	
42	1	600.856	DRIVE SHAFT	
43	1	59321050	BOLT	
44	1	747310ZN	LOCK NUT	
45	3	659412ZN	WASHER	
46	2	659224ZN	WASHER	
47	2	559006ZN	NUT	
48	1	BM32030	PTO GUARD	
49	2	BM32015	PTO GUARD SUPPORT	
50	2	659206ZN	WASHER	
51	2	52390616	BOLT	
52	2	57400620	BOLT	
53	1	30055007	COUPLING	
54	1	BM32003	WASHER	



AGRICULTURAL MACHINERY
sitrex® Spq .

Zona Industriale-Viale Grecia, 8
06018 TRESTINA-(Perugia)-ITALY
Tel. +39.075.8540021-Telefax +39.075.8540523
e-mail: sitrex@sitrex.it www.sitrex.com

